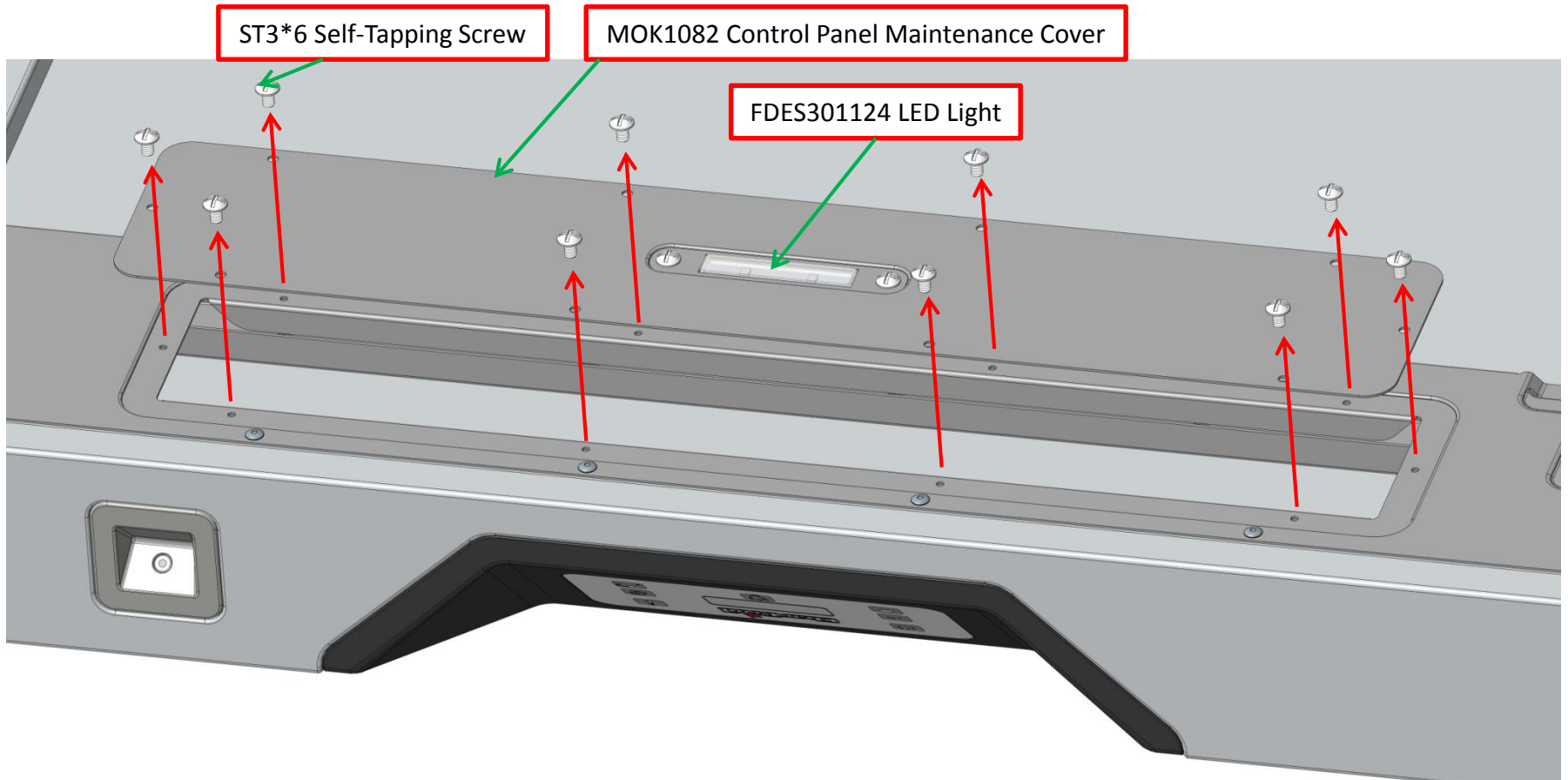


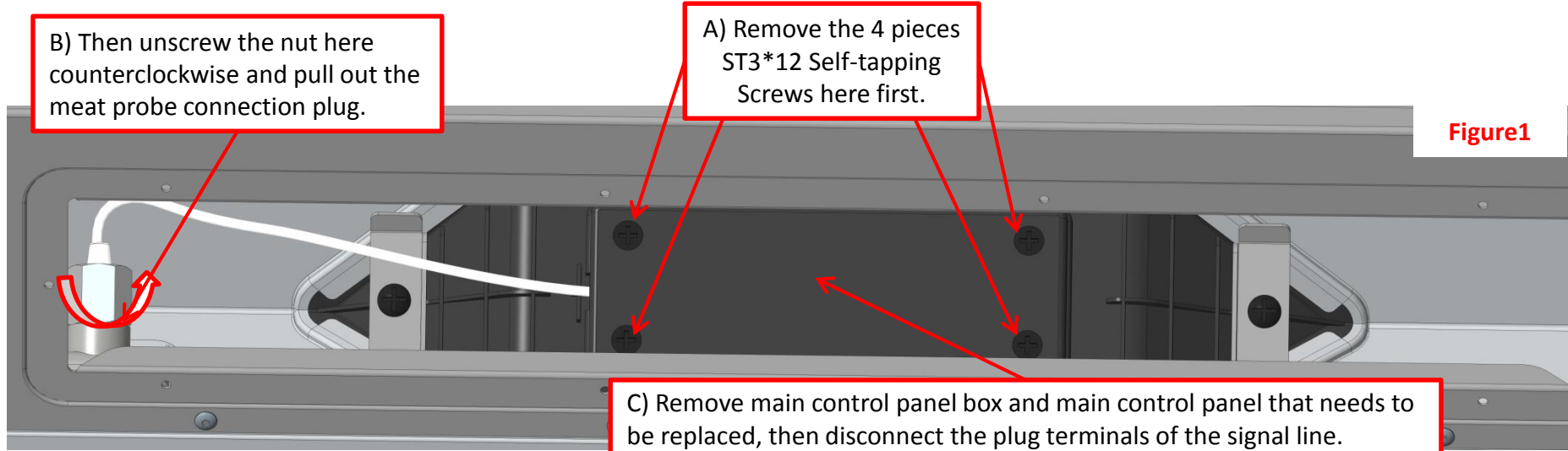
Remove/Replace Control Panel Assembly of 463246619 MOK DES

Note: When replacing the four parts of MOK1087 Main Control panel, MOK1082 Control Panel, MOK1083 Meat Probe Box and FDES301124 LED Light, you need to remove MOK1082 Control Panel Maintenance Cover.

Step 1: Remove MOK1082 Control Panel Maintenance Cover as follows: Remove the 10 pieces ST3*6 Self-Tapping Screws as shown in the figure; lift MOK1082 Control Panel Maintenance Cover and disassemble FDES301124 LED light connect the cable's plug-in terminal and remove MOK1082 Control Panel Maintenance Cover.



Step 2: Replace MOK1087 Main Control panel, the steps are as follows: operate in the order of A), B), C), D)



D) First put the new main control panel into the main control panel box, so that the main control panel is placed in place; place the main control panel box outlet seal in the position as shown in the figure; Install the main control panel box and the main control panel assembly to the control panel as shown in Figure 2 below. Install the locking main control panel box with the screw of step A), then press the operation buttons on the main control panel to confirm whether it is flexible; then insert the meat probe connection plug into the meat probe box and lock it with a metal nut; then connect the plug terminals of the signal wires on the main control panel.

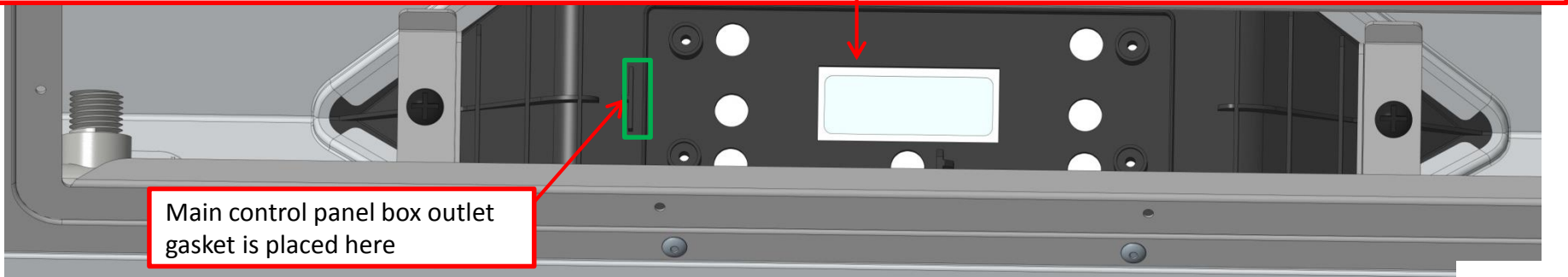
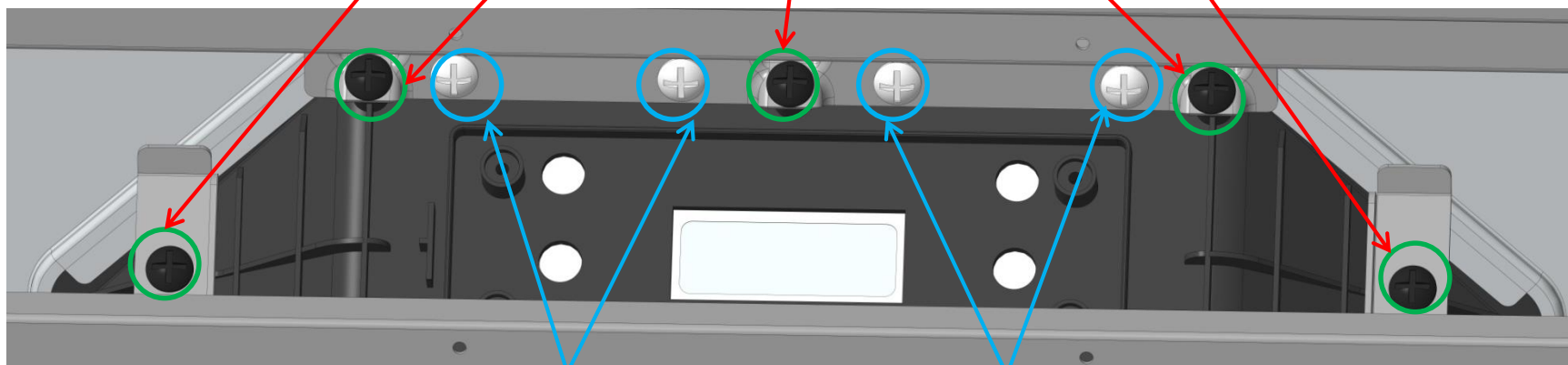


Figure 2

Step 3: Replace MOK1082 Control Panel and follow the steps A) and B) as below.

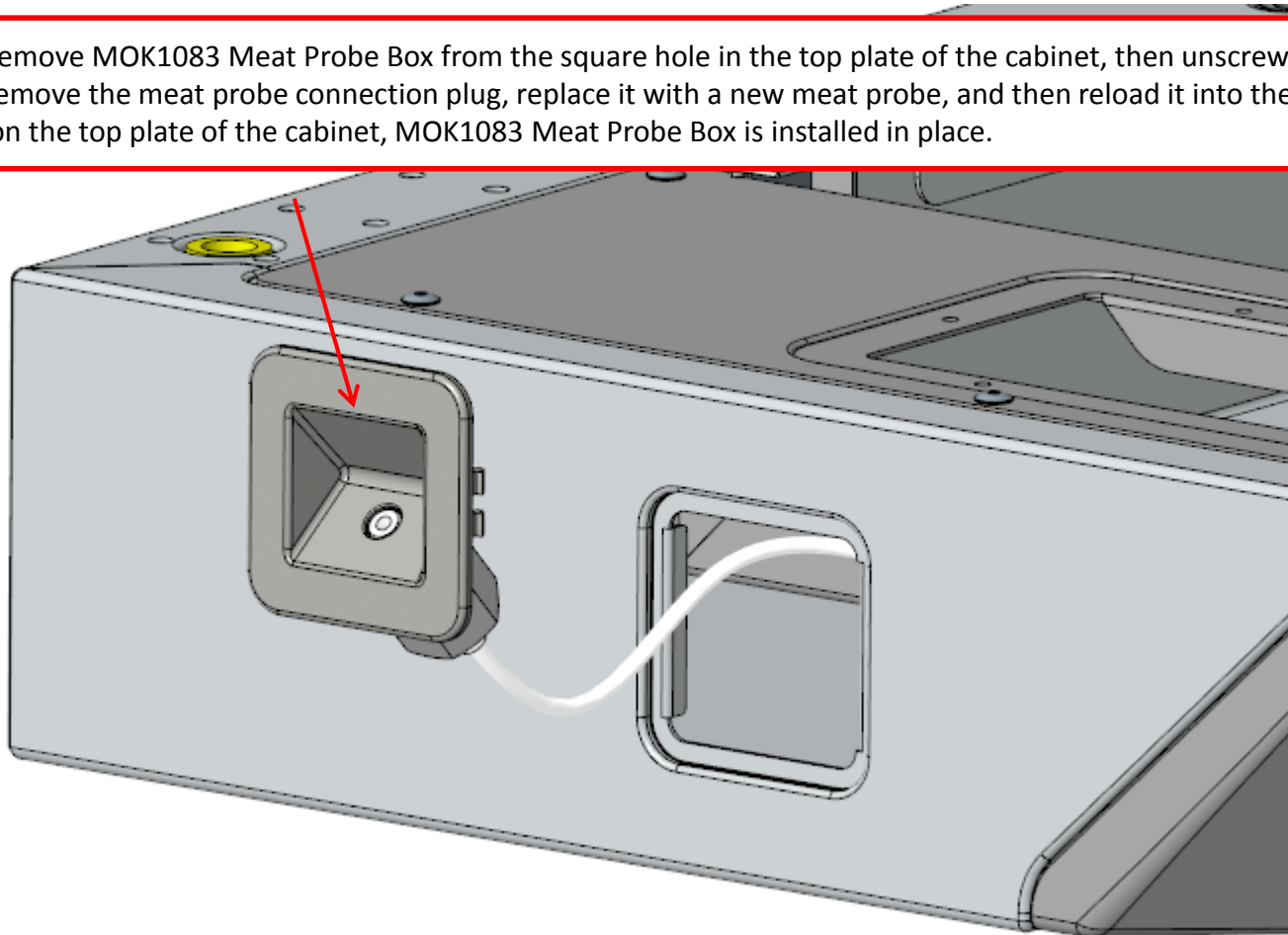
A) When removing, first remove 5 pieces ST3*8 self-tapping screws here, then remove the left and right fixed brackets and center fixed bracket and MOK1082 Control Panel .



B) When replace MOK1082 Control Panel, first install the center fixed bracket assembly removed in the previous step with 2 pieces ST3*8 Self-Tapping Screws to the new MOK1082 Control Panel, and place it in place according to the original position and original direction; Rotate the 4 pieces M4*10 screws on the center fixed bracket counterclockwise about 4 times (do not remove the screws); then place the new MOK1082 Control Panel in the original position and original direction into the mounting hole of the top plate of the cabinet; Then install the new MOK1082 Control Panel parts with the left and right fixed brackets and 3 pieces ST3*8 self-tapping screws removed in the previous step, then tighten 4 pieces M4*10 screws clockwise into place, and then check whether the appearance installation clearance is Evenly.

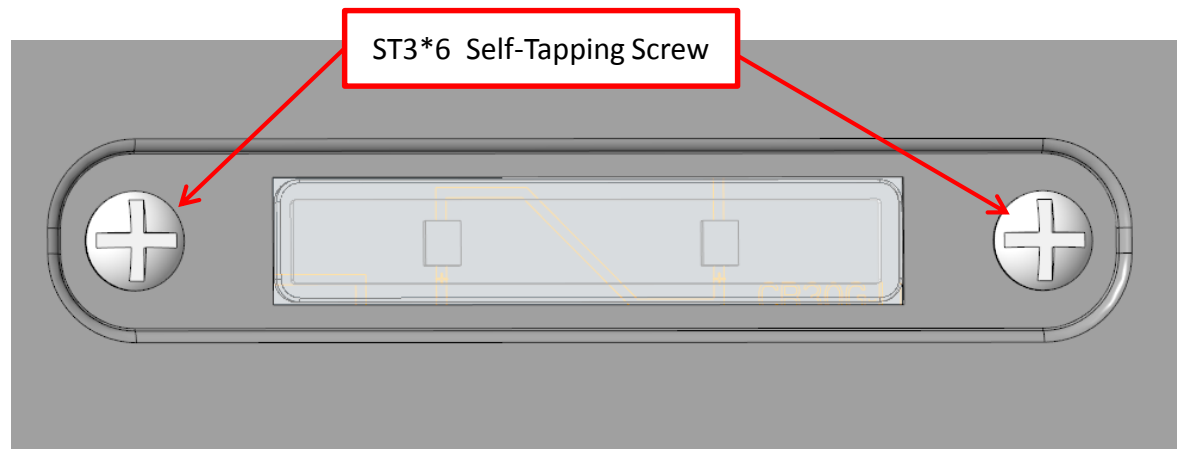
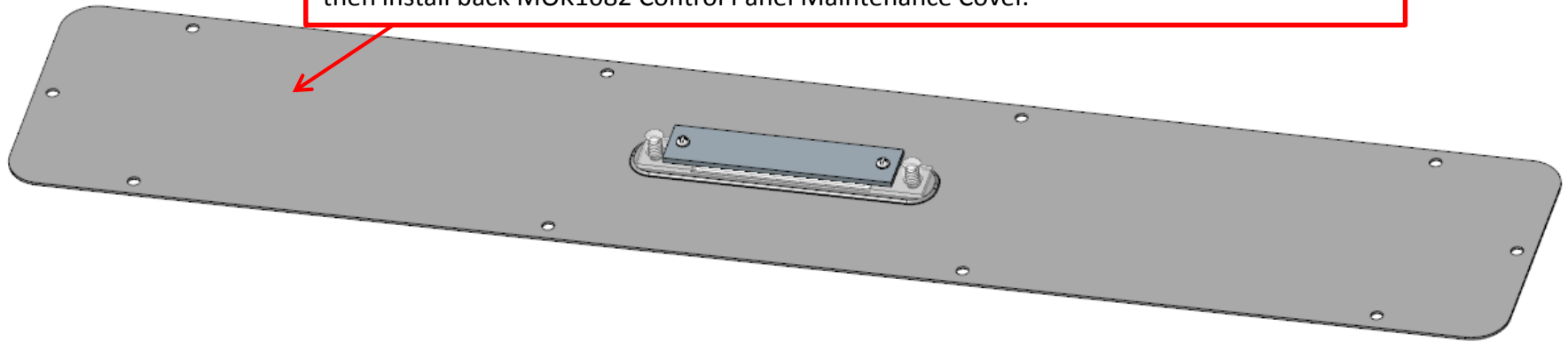
Step 4: Replace MOK1083 Meat Probe Box and follow the steps below.

First remove MOK1083 Meat Probe Box from the square hole in the top plate of the cabinet, then unscrew the metal nut, remove the meat probe connection plug, replace it with a new meat probe, and then reload it into the square hole on the top plate of the cabinet, MOK1083 Meat Probe Box is installed in place.



Step 5: Replace FDES301124 LED Light and follow the steps below.

First remove FDES301124 LED Light on MOK1082 Control Panel Maintenance Cover that was removed in step 1. Replace new FDES301124 LED Light and lock it with 2 pieces ST3*6 Self-Tapping Screws that were removed, then connect the LED light connector plug terminal and then install back MOK1082 Control Panel Maintenance Cover.



Step 6: Follow the steps below.

After the replacement of FDES301124 LED Light and MOK1087 Main Control panel must pass the power-on function test, then can start install MOK1082 Control Panel Maintenance Cover.

